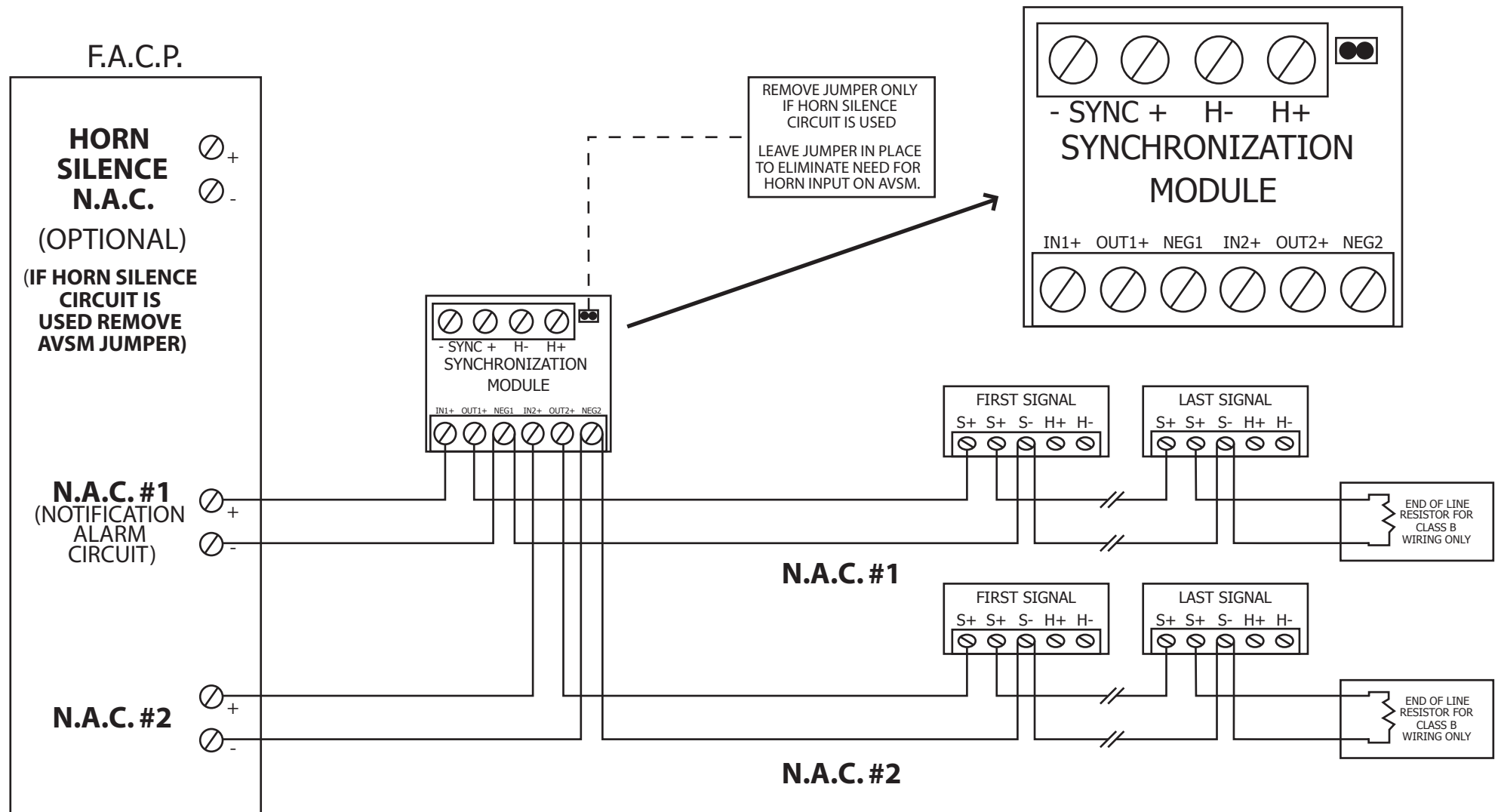


# Two (2) Class B Circuits with Strobe/Horn Operating in Unison



**NOTE: Crossing lines DO NOT Indicate Connections**

**GENTEX**  
CORPORATION  
**1-800-436-8391**  
**www.gentex.com**