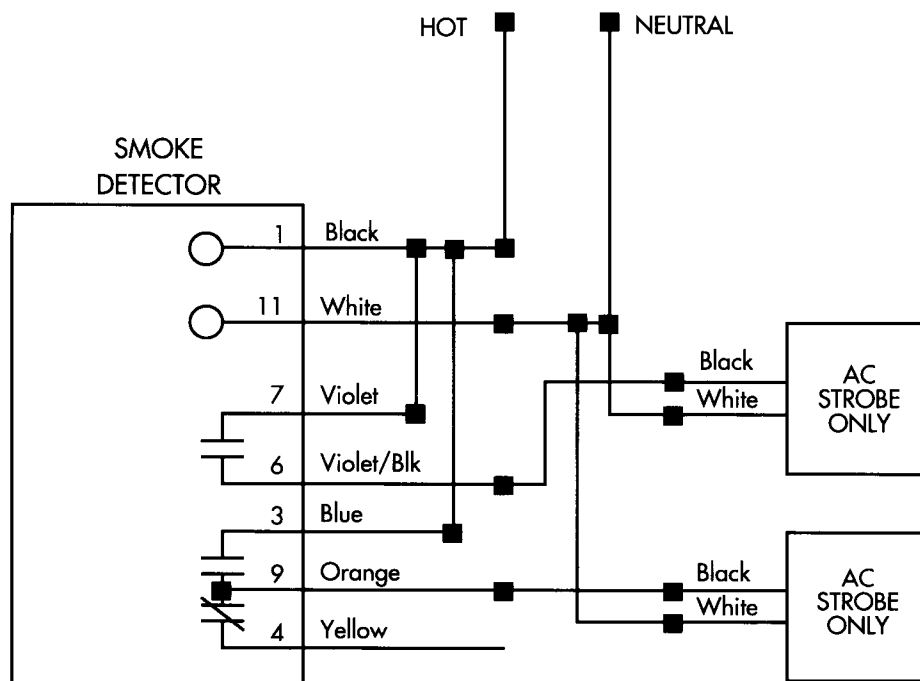


GENTEX TECHNICAL BULLETIN

Number: 009

PRODUCT UPDATE: Proper Connection of a Gentex AC Strobe to a Gentex AC Smoke Detector

- Two Gentex strobes per relay contact may be connected to a Gentex smoke detector. The 7000/7003 and 9000/9003 Series with the "F" suffix have both Form A and Form C contacts. This allows a total of four AC strobes to be connected to the smoke detector. The 710/713CS and 7109/7139CS have one auxiliary contact, therefore only two additional strobes may be connected to the smoke detector.
- For detectors equipped with both Form A and Form C contacts both sets of contacts will transfer state when the unit goes into alarm. The contacts will return to normal position once smoke is cleared from the detector and the detector returns to normal standby.
- The diagram below illustrates connection of two strobes. Only the blue, orange and yellow wires are available on models with the CS option.
- The strobes below will receive their source of power from the same source that provides power to the smoke detector. Power is routed through the normally open contacts turning the violet/black and orange wires essentially into switched hots.
- Units connected in tandem will activate the relays of the 'non-alarming' units therefore activating the strobes.



WARNING: Do not connect strobes intended for DC power as described above. It will result in irreversible damage to the strobes.